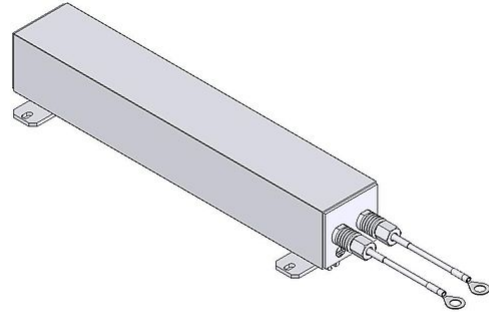



# DATA SHEET

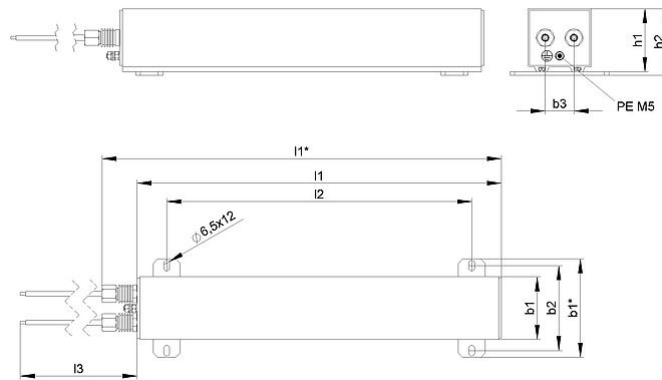
## GWS 70x70 Aluminium Resistor



| Article-No.   | ds3000 3503   |
|---|---|
| Type  | GWS 250   |
| Nominal continuous power (W) $T_a \sim 40\text{ °C}$                    | 150   |
| Resistance Values at 20°C (Ohm)   | 5 - 70  |
| Tolerance of resistance at 20°C   | $\pm 10\%$  |
| Degree of protection (EN 60529) (in the accordingly screwed on state)   | IP 54   |
| Max. permissible operating voltage                                      | 2300 V  |
| Cooling   | natural convection  |
| Housing temperature at nominal continuous power $T_a \sim 40\text{ °C}$ | $\leq 200\text{ °C}$  |
| Electrical terminal   | 2x 10 mm <sup>2</sup> / PE M5   |
| Operation temperature range   | -40 ... +40 °C  |
| Testing voltage   | 8.5 kV AC 1 min   |
| Mounting positions  |  |

Subject to technical modifications

# DATA SHEET



| Article-No.          |     | ds3000 3503               |
|----------------------|-----|---------------------------|
| Type                 |     | GWS 250                   |
| Length [mm]          | l1* | 296                       |
|                      | l1  | 256                       |
|                      | l2  | 190                       |
|                      | l3  | 250                       |
| Width [mm]           | b1* | 110                       |
|                      | b1  | 70                        |
|                      | b2  | 95                        |
|                      | b3  | 32                        |
| Height [mm]          | h1  | 70                        |
|                      | h2  | 74                        |
| Weight approx. [kg]  |     | 3.5                       |
| Isolation resistance |     | $\geq 20 \text{ M}\Omega$ |
| Pulse Power          |     | Project wise              |
| Last update          |     | 2016-08-23                |

**Mounting instruction:**

The resistor should be protected by appropriate safety measures against overloading.

Do not mount the resistor with any obstruction in the air inlet or air outlet area.

The resistor has to be grounded.