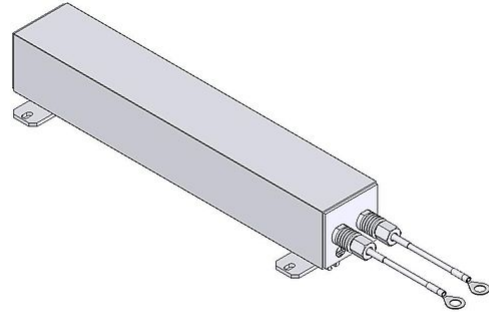



# DATA SHEET

## GWS 70x70 Aluminium Resistor

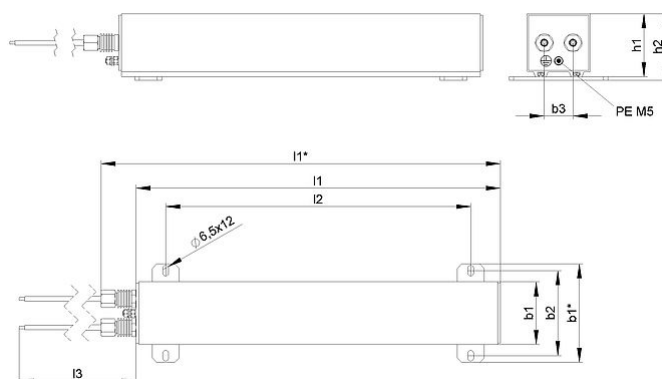


Article-No.	ds3000 3502			
Type	GWS 300	GWS 350	GWS 400	GWS 500
Nominal continuous power (W) $T_a \sim 40\text{ °C}$	175	215	250	330
Resistance Values at 20°C (Ohm)	5 - 100	5 - 130	5 - 160	5 - 200
Tolerance of resistance at 20°C	±10 %			
Degree of protection (EN 60529) (in the accordingly screwed on state)	IP 54			
Max. permissible operating voltage	2300 V			
Cooling	natural convection			
Housing temperature at nominal continuous power $T_a \sim 40\text{ °C}$	≤200 °C			
Electrical terminal	2x 10 mm <sup>2</sup> / PE M5			
Operation temperature range	-40 ... +40 °C			
Testing voltage	8.5 kV AC 1 min			
Mounting positions				

Subject to technical modifications



# DATA SHEET



Article-No.		ds3000 3502			
Type		GWS 300	GWS 350	GWS 400	GWS 500
Length [mm]	l1*	346	396	446	546
	l1	306	356	406	506
	l2	240	290	340	440
	l3	250	250	250	250
Width [mm]	b1*	110	110	110	110
	b1	70	70	70	70
	b2	95	95	95	95
	b3	32	32	32	32
Height [mm]	h1	70	70	70	70
	h2	74	74	74	74
Weight approx. [kg]		4	4.5	5	6
Isolation resistance		≥ 20 MΩ			
Pulse Power		Project wise			
Last update		2016-08-23			

**Mounting instruction:**

The resistor should be protected by appropriate safety measures against overloading.

Do not mount the resistor with any obstruction in the air inlet or air outlet area.

The resistor has to be grounded.