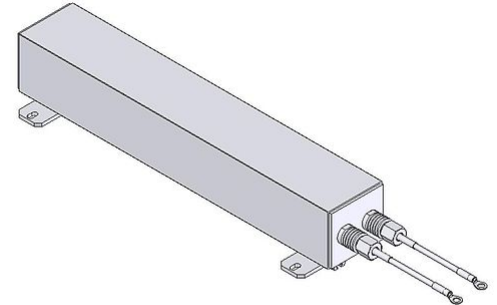



## DATA SHEET

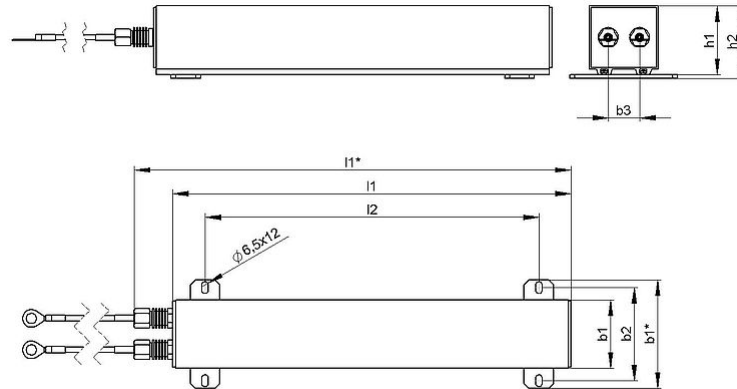
### GWS 70x70 Aluminium Resistor



Article-No.		ds3000 3501
Type		GWS xxx-70x70
Pulse Power (kW) $T_a \sim 60\text{ °C}$ *referred to a cycle duration of 120s Approximate value (depending on resistance)	ED 6 %*	1
Nominal continuous power (kW) $T_a \sim 60\text{ °C}$		1
Resistance Values at 20°C (Ohm)		5.5
Tolerance of resistance at 20°C		±10 %
Degree of protection (EN 60529) (in the accordingly screwed on state)		IP 54
Max. permissible operating voltage		2300 V
Cooling		natural convection
Housing temperature at nominal continuous power $T_a \sim 60\text{ °C}$		≤180 °C
Electrical terminal		2x 10 mm <sup>2</sup> ; l=25 cm
Operation temperature range		-40 ... +70 °C
Testing voltage		6.0 kV AC 1 min
Mounting positions		

Subject to technical modifications

**DATA SHEET**



Article-No.		ds3000 3501
Type		GWS xxx-70x70
Length [mm]	l1*	xxx + 46
	l1	xxx + 6
	l2	t.b.d.
Width [mm]	b1	70
	b2	95
	b3	110
Height [mm]	h1	70
	h2	74
Weight approx. [kg]		6.15
Isolation resistance		>20 M Ohm
Last update		2014-03-13

**Mounting instruction:**

The resistor should be protected by appropriate safety measures against overloading.  
Do not mount the resistor with any obstruction in the air inlet or air outlet area.

The resistor has to be grounded.



**Powerful Resistors**

