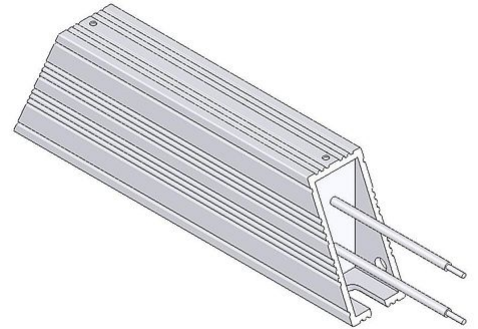



DATA SHEET

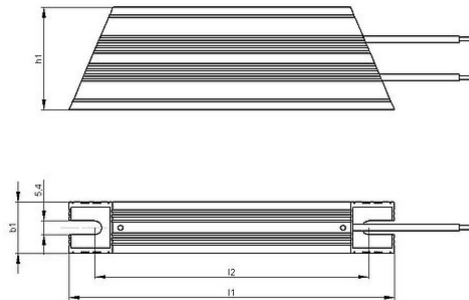
GWH 40x20-S | 50 - 150 W
Aluminium Resistor
cRUus 1000 V



Article-No.		ds3000 3002		
Type		GWH 160	GWH 240	GWH 300
Pulse Power (W) $T_a \sim 40\text{ °C}$ *referred to a cycle duration of 120s Approximate value (depending on resistance)	ED 6 %*	450	900	1350
	ED 15 %*	250	500	750
	ED 25 %*	150	300	450
	ED 40 %*	100	200	300
Nominal continuous power (W) $T_a \sim 40\text{ °C}$		50	100	150
Resistance Values at 20°C (Ohm)		3 - 830	28 - 1360	38 - 1860
Tolerance of resistance at 20°C		±10 %		
Degree of protection (EN 60529) (in the accordingly screwed on state)		IP 65		
Max. permissible operating voltage		UL 1000 V		
Cooling		natural convection		
Housing temperature at nominal continuous power $T_a \sim 40\text{ °C}$		ca. 180 °C		
Electrical terminal		2x AWG 14 / l=25 cm		
Operation temperature range		-25 ... +40 °C		
Testing voltage		2.7 kV AC 1 s		
Approvals/markings		UL; CSA		
Mounting positions				

Subject to technical modifications

DATA SHEET



Article-No.		ds3000 3002		
Type		GWH 160	GWH 240	GWH 300
Length [mm]	l1	160	240	300
	l2	145	225	285
Width [mm]	b1	20	20	20
Height [mm]	h1	40	40	40
Weight approx. [kg]		0.26	0.43	0.55
Isolation resistance		>10 M Ohm		
Last update		2016-01-11		

Mounting instruction:

The distance between the two fixing points increase at 0,85 mm / 100 mm while heating (mounting with fixed and movable bearing).

The resistor should be protected by appropriate safety measures against overloading.

Do not mount the resistor with any obstruction in the air inlet or air outlet area.

Mount the resistor on a plane area.

The resistor has to be grounded.



Powerful Resistors

