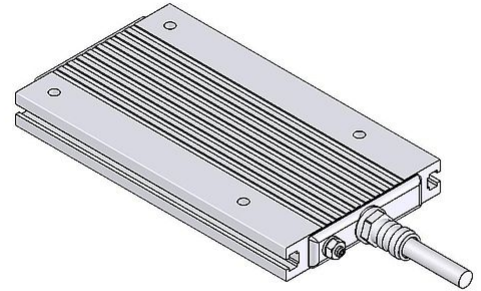



## DATA SHEET

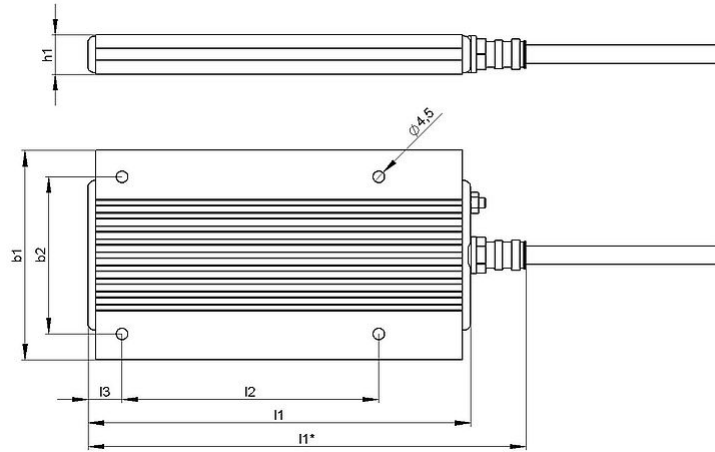
GWS 80x15-G | 100 - 200 W  
Aluminium Resistor



| Article-No.   |          | ds3000 3721   |            |
|---|----------|---|------------|
| Type  |          | GWS 146   | GWS 252    |
| Pulse Power (W) $T_a \sim 40\text{ °C}$<br>*referred to a<br>cycle duration of 120s<br>Approximate value (depending on<br>resistance) | ED 6 %*  | 900   | 1800       |
|   | ED 15 %* | 500   | 1000       |
|   | ED 25 %* | 300   | 600        |
|   | ED 35 %* | 250   | 500        |
|   | ED 40 %* | 200   | 400        |
| Nominal continuous power (W) $T_a \sim 40\text{ °C}$  |          | 100   | 200        |
| Resistance Values at 20°C (Ohm)   |          | 3.6 - 910   | 6.8 - 1200 |
| Tolerance of resistance at 20°C   |          | ±10 %   |            |
| Degree of protection (EN 60529) (in the accordingly screwed on state)   |          | IP 65   |            |
| Max. permissible operating voltage  |          | EN 1000 V DC  |            |
| Cooling   |          | natural convection  |            |
| Housing temperature at nominal continuous power $T_a \sim 40\text{ °C}$   |          | <300 °C   |            |
| Electrical terminal   |          | 3x AWG 18; l=50 cm  |            |
| Operation temperature range   |          | -25 ... +40 °C  |            |
| Testing voltage   |          | 2.7 kV AC 1 s   |            |
| Mounting positions  |          |  |            |

Subject to technical modifications

## DATA SHEET



| Article-No.          |     | ds3000 3721 |         |
|----------------------|-----|-------------|---------|
| Type                 |     | GWS 146     | GWS 252 |
| Length [mm]          | l1* | <170        | <276    |
|                      | l1  | 146         | 252     |
|                      | l2  | 98          | 204     |
|                      | l3  | 13          | 13      |
| Width [mm]           | b1  | 80          | 80      |
|                      | b2  | 60          | 60      |
| Height [mm]          | h1  | 15          | 15      |
| Weight approx. [kg]  |     | 0.5         | 0.8     |
| Isolation resistance |     | >10 M Ohm   |         |
| Last update          |     | 2014-01-22  |         |

### Mounting instruction:

The distance between the two fixing points increase at 0,85 mm / 100 mm while heating (mounting with fixed and movable bearing).

The resistor should be protected by appropriate safety measures against overloading.

Do not mount the resistor with any obstruction in the air inlet or air outlet area.

Mount the resistor on a plane area.

The resistor has to be grounded.



**Powerful Resistors**