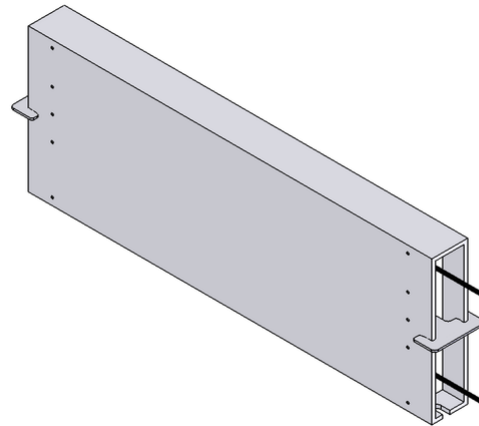



DATA SHEET

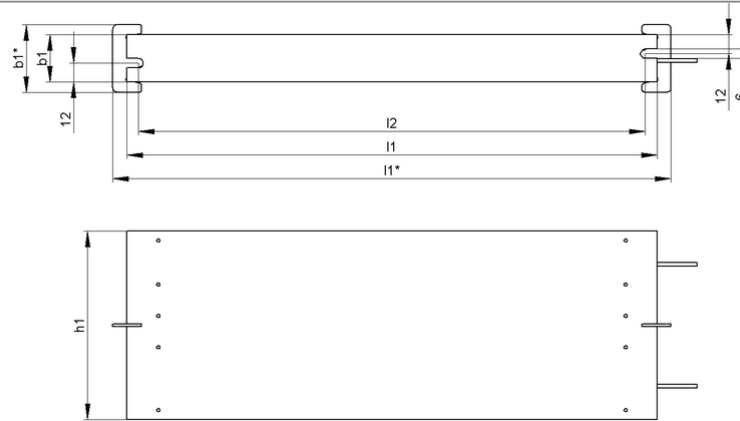
GWHS 120x30-K | 540 - 1080 W Aluminium Resistor



Article-No.		ds3000 3405			
Type		GWHS 217-120x30	GWHS 267-120x30	GWHS 337-120x30	GWHS 407-120x30
Pulse Power (W) $T_a \sim 40^\circ\text{C}$ *referred to a cycle duration of 120s Approximate value (depending on resistance)	ED 6 %*	4860	6480	8100	9720
	ED 15 %*	2700	3600	4500	5400
	ED 25 %*	1620	2160	2700	3240
	ED 40 %*	1080	1440	1800	2160
Nominal continuous power (W) $T_a \sim 40^\circ\text{C}$		540	720	900	1080
Resistance Values at 20°C (Ohm)		2.3 - 720	3.1 - 600	3.9 - 450	4.7 - 360
Tolerance of resistance at 20°C		±10 %			
Degree of protection (EN 60529) (in the accordingly screwed on state)		IP 20			
Max. permissible operating voltage		EN 1000 V DC			
Cooling		natural convection			
Housing temperature at nominal continuous power $T_a \sim 40^\circ\text{C}$		~360 °C			
Electrical terminal		2x AWG 16 / l=25 cm			
Operation temperature range		-25 ... +40 °C			
Testing voltage		2,7 kV AC 1 s			
Mounting positions					

Subject to technical modifications

DATA SHEET



Article-No.		ds3000 3405			
Type		GWHS 217-120x30	GWHS 267-120x30	GWHS 337-120x30	GWHS 407-120x30
Length [mm]	l_1^*	≤ 237	≤ 287	≤ 357	≤ 427
	l_1	217	267	337	407
	l_2	205	255	325	395
Width [mm]	b_1^*	≤ 45	≤ 45	≤ 45	≤ 45
	b_1	30	30	30	30
Height [mm]	h_1	120	120	120	120
Weight approx. [kg]		1,4	1,8	2,2	2,6
Isolation resistance		$\geq 10 \text{ M}\Omega$			
Last update		2016-01-22			

Mounting instruction:

The distance between the two fixing points increase at 0,85 mm / 100 mm while heating (mounting with fixed and movable bearing).

The resistor should be protected by appropriate safety measures against overloading.

Do not mount the resistor with any obstruction in the air inlet or air outlet area.

Mount the resistor on a plane area.

The resistor has to be grounded.