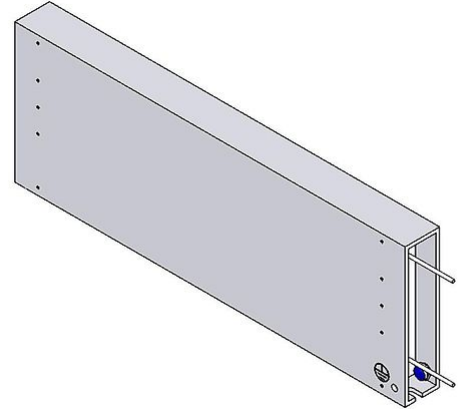



## DATA SHEET

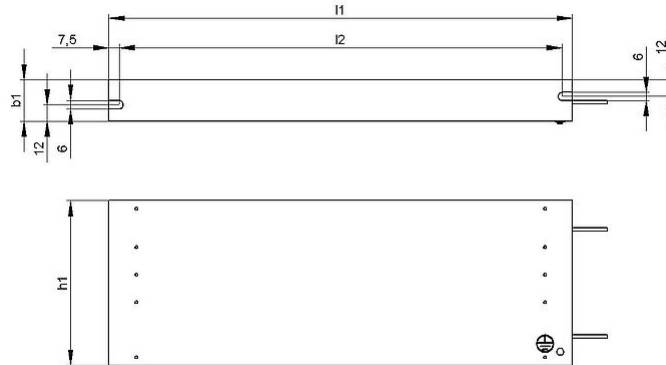
GWHS 120x30-S | 270 - 500 W  
Aluminium Resistor



Article-No.		ds3000 3455			
Type		GWHS 217-120x30	GWHS 267-120x30	GWHS 337-120x30	GWHS 407-120x30
Pulse Power (W) $T_a \sim 40\text{ °C}$ *referred to a cycle duration of 120s Approximate value (depending on resistance)	ED 6 %*	2430	2880	4050	4500
	ED 15 %*	1350	1600	2250	2500
	ED 25 %*	810	960	1350	1500
	ED 40 %*	540	640	900	1000
Nominal continuous power (W) $T_a \sim 40\text{ °C}$		270	320	450	500
Resistance Values at 20°C (Ohm)		2.3 - 720	3.1 - 600	3.9 - 450	4.7 - 360
Tolerance of resistance at 20°C		±10 %			
Degree of protection (EN 60529) (in the accordingly screwed on state)		IP 65			
Max. permissible operating voltage		EN 1000 V DC			
Cooling		natural convection			
Housing temperature at nominal continuous power $T_a \sim 40\text{ °C}$		~230 °C			
Electrical terminal		2x AWG 16 / l=25 cm			
Operation temperature range		-25 ... +40 °C			
Testing voltage		2,7 kV AC 1 s			
Mounting positions					

Subject to technical modifications

## DATA SHEET



Article-No.		ds3000 3455			
Type		GWHS 217-120x30	GWHS 267-120x30	GWHS 337-120x30	GWHS 407-120x30
Length [mm]	$l_1$	217	267	337	407
	$l_2$	205	255	325	395
Width [mm]	$b_1$	30	30	30	30
Height [mm]	$h_1$	120	120	120	120
Weight approx. [kg]		1,4	1,8	2,2	2,6
Isolation resistance		$\geq 10 \text{ M}\Omega$			
Last update		2016-01-22			

### Mounting instruction:

The distance between the two fixing points increase at 0,85 mm / 100 mm while heating (mounting with fixed and movable bearing).

The resistor should be protected by appropriate safety measures against overloading.

Do not mount the resistor with any obstruction in the air inlet or air outlet area.

Mount the resistor on a plane area.

The resistor has to be grounded.