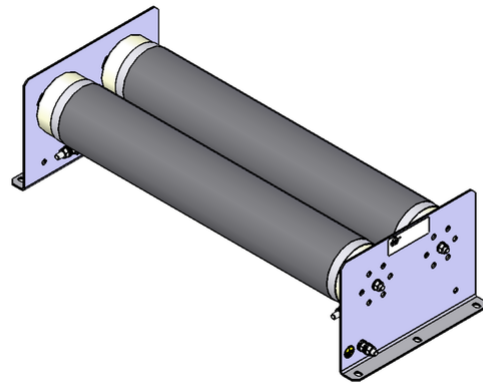



DATA SHEET

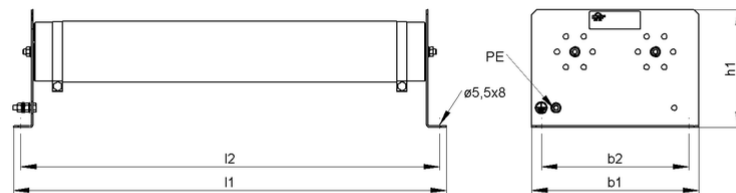
ZFo_5 | 240 - 560 W Wire Resistor



Article-No.		ds4000 1253		
Type		ZFo 3	ZFo 4	ZFo 5
Pulse Power (W) $T_a \sim 40\text{ °C}$ *referred to a cycle duration of 120s Approximate value (depending on resistance)	ED 6 %*	2280	3800	5320
	ED 15 %*	1180	1960	2740
	ED 25 %*	770	1280	1790
	ED 40 %*	530	880	1230
	ED 60 %*	360	600	840
Nominal continuous power (W) $T_a \sim 40\text{ °C}$		240	400	560
Rated continuous current (A) $T_a \sim 40\text{ °C}$		0,3 - 50	0,3 - 50	0,3 - 50
Resistance Values at 20°C (Ohm)		0.09 - 2780	0.16 - 4760	0.23 - 6760
Tolerance of resistance at 20°C		±10 %		
Degree of protection (EN 60529) (in the accordingly screwed on state)		IP 00		
Max. permissible operating voltage		600 V AC / 800 V DC		
Cooling		natural convection		
Electrical terminal		M5 / PE M5		
Operation temperature range		-25 ... +40 °C		
Testing voltage		2,7 kV AC 1 s		
Mounting positions				

Subject to technical modifications

DATA SHEET



Article-No.		ds4000 1253		
Type		ZFo 3	ZFo 4	ZFo 5
Length [mm]	l1	≤ 240	≤ 340	≤ 440
	l2	222	322	422
Width [mm]	b1	≤ 123	≤ 123	≤ 123
	b2	100	100	100
Height [mm]	h1	≤ 95	≤ 95	≤ 95
Weight approx. [kg]		2	2,8	3,6
Last update		2016-01-14		

Mounting instruction:

The resistor should be protected by appropriate safety measures against overloading.

Do not mount the resistor with any obstruction in the air inlet or air outlet area.

Tube resistors have to mount in a horizontal position.

The resistor has to be grounded.