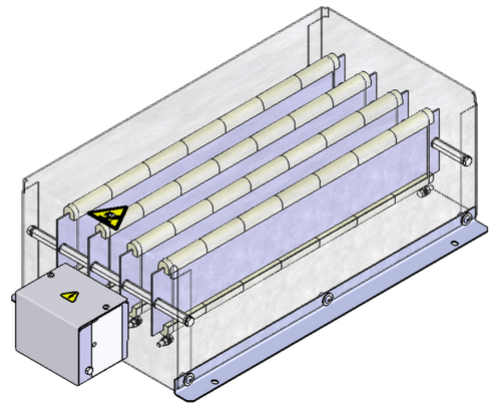



# DATA SHEET

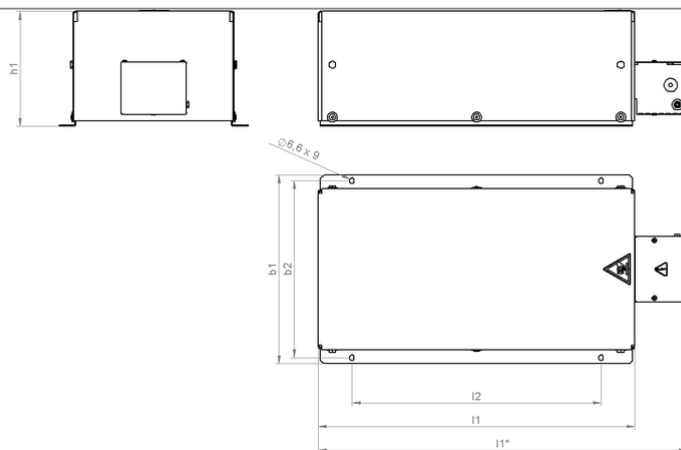
RFBs\_6UL | 1.4 - 4.8 kW  
Wire Resistor  
with Terminalbox B



Article-No.		ds2003 1064		
Type		RFB 2-7	RFB 4-7	RFB 6-7
Pulse Power (kW) $T_a \sim 40\text{ °C}$ *referred to a cycle duration of 120s Approximate value (depending on resistance)	ED 6 %*	11.2	25.6	38.4
	ED 15 %*	6.3	14.4	21.6
	ED 25 %*	4.2	9.6	14.4
	ED 40 %*	2.9	6.7	10.1
Nominal continuous power (kW) $T_a \sim 40\text{ °C}$		1.4	3.2	4.8
Resistance Values at 20°C (Ohm)		1.8 - 180	1 - 110	1.5 - 75
Tolerance of resistance at 20°C		±10 %		
Degree of protection (EN 60529) (in the accordingly screwed on state)		IP 20		
Max. permissible operating voltage		UL 600 V		
Cooling		natural convection		
Housing temperature at nominal continuous power $T_a \sim 40\text{ °C}$		ca. 200 °C		
Electrical terminal		lead out terminal 2.5 mm <sup>2</sup> / 10 mm <sup>2</sup> ; PE M5		
Operation temperature range		-25 ... +40 °C		
Testing voltage		2.7 kV AC 1 s		
Approvals/markings		UL; CSA		
Mounting positions				

Subject to technical modifications

# DATA SHEET



Article-No.		ds2003 1064		
Type		RFB 2-7	RFB 4-7	RFB 6-7
Length [mm]	$l_1^*$	$\leq 570$	$\leq 570$	$\leq 570$
	$l_1$	$\leq 490$	$\leq 490$	$\leq 490$
	$l_2$	380	380	380
Width [mm]	$b_1$	$\leq 190$	$\leq 290$	$\leq 390$
	$b_2$	170	270	370
Height [mm]	$h_1$	$\leq 180$	$\leq 180$	$\leq 180$
Weight approx. [kg]		4	7	10
Last update		2016-01-07		

### Mounting instruction:

The resistor should be protected by appropriate safety measures against overloading.  
Do not mount the resistor with any obstruction in the air inlet or air outlet area.

The resistor has to be grounded.